



Welding Automation PerformArc® 550H, 550HW

Small Footprint, High Productivity and ROI

- This high-production system has a footprint of 17' x 10' and allows for a second robot to be added, doubling throughput without requiring additional floor space.
- Easy-to-slide teach access doors keep the system slim and allow for tight stacking.
- The outboard Panasonic servo positioner allows the parts to be rotated into the desired welding position, maximizing torch access and welding quality.

Personal Safety

- The PA 550H and HW utilizes servo disconnect technology, removing drive power during fixture loading to prevent unexpected motion of the outboard axis and keeping employees safe.

FILTAIR® Weld Fume Extractor with Automation Hood

- Designed for the rugged demands of robotic industrial welding operations, the FILTAIR Automation solution integrates the FILTAIR Weld Fume Extractor with the Automation Hood, providing a custom-engineered fume extraction solution.

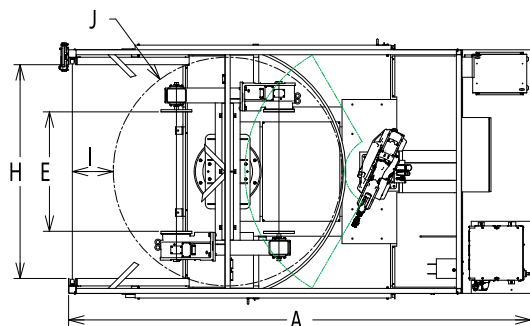


PerformArc® 550H, 550HW Automation Solution

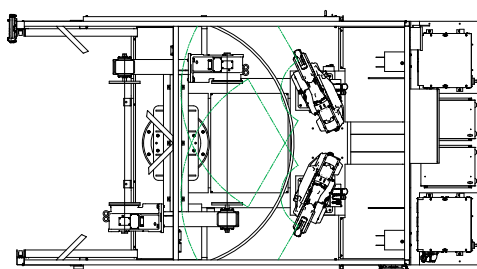
Dimensional Specifications*		PA 500H	PA 500HW
Frame length	A	4724 mm (186")	5182 mm (204")
Frame width	B	2489 mm (98")	2896 mm (114")
Frame height	C	2286 mm (90")	2286 mm (90")
Outboard rotation CL from floor	D	1076 mm (42.375")	1076 mm (42.375")
Headstock-tailstock span	E	1219 mm (48")	1524 mm (60")
Cell width including doors	F	2711 mm (106.75")	3118 mm (122.75")
Fixture rotation diameter	G	863.6 mm (34")	1000 mm (40")
Cell front opening (max)	H	2184 mm (86")	2591 mm (102")
Penetration distance (stopping calculation)	I	419 mm (16.5")	470 mm (18.5")
Rotation diameter	J	2336 mm (92")	2743 mm (108")
Shipping weight		3266 kg (7200 lb)	3447 kg (7600 lb)

*Note: All dimensions are approximate.

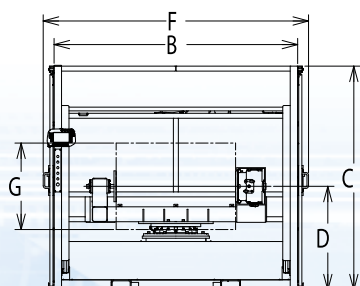
Top View (Standard Single Robot)



Top View (Optional Dual Robot)



Front View



Standard Specifics

Fully Integrated Miller Welding Automation Total Solution Includes:

Panasonic® 6 kg arc welding robot

Panasonic latest generation 64-bit controller with TFT color display teaching pendant utilizing Windows® CE

Auto-Access® inverter arc welder

Miller 4-drive roll wire feeder with tachometer feedback

Tregakiss™ 500 A air-cooled welding torch

High speed main indexing servo positioner 1000 kg

Secondary rotation axis servo positioner 250 kg (2)

Miller designed and manufactured total productivity system

System features include:

Integrated operator interface (E-Stop, Auto Mode, Servo On, Mode Select, Table Load/Unload, Cycle Start)

(2) Full open sliding doors for easy access to the teaching area

TCP pointer & resident TCP check program

Tip change monitor & maintenance program for easy torch upkeep

Arc start retry, arc overlapping, flying arc start, password protection

Positioner General Technical Specifications

Main Sweep Axis

Model	Servo Positioner
Motor type	3.5 kW AC Digital Servo
Control type	Servo Control
Rotation time (180 deg index)	t<3.5 sec
Through hole (for utility pass through)	120 mm (4.72")

Secondary Axis (2)

Model	250 kg
Motor type	1 kW AC Digital Servo
Control type	Servo Control
Payload (per side)	250 kg (550 lb)
Payload offset (from positioner CL)	Please consult manual
Through hole (for utility pass through)	55 mm (2.16")

Robot Options

TA 1400G3
TA 1600G3

Welder Options

Auto-Access 300A 60% (Pulse/CV/RMD)	GB2-350A 60% (CV)
Auto-Access 450A 100% (Pulse/CV/RMD)	HM3-350A 60% (Pulse/CV/SPII)
Auto-Access 675A 100% (Pulse/CV/RMD)	HM3-500A 100% (Pulse/CV/SPII)
TAWERS WG 350A 60% (Pulse/CV/SPII)	BP4-300A 40% (GTAW)
TAWERS WGH 450A 100% (Pulse/CV/SPII)	